

FURUTECH

PURE TRANSMISSION



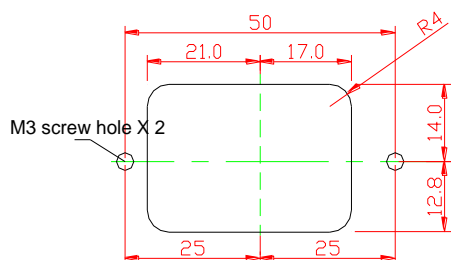
**High End Performance IEC INLET
FI-09 NCF(R) Rhodium Plated
Nano Crystal² Formula - Nano Crystalline,
Ceramic and Carbon Powder
Incorporated into select Furutech
products, Nano Crystal² Formula --- NCF is
comprised of a special crystalline material
that has two "active" properties. First, it
generates negative ions that eliminate
static and secondly, it converts thermal
energy into far-infrared.**

Furutech then combines this remarkable crystalline material with nano-sized ceramic particles and carbon powder for their additional "Piezo Effect" damping properties. The resulting Nano Crystal² Formula is the ultimate electrical and mechanical damping material – only found and in Furutech products!

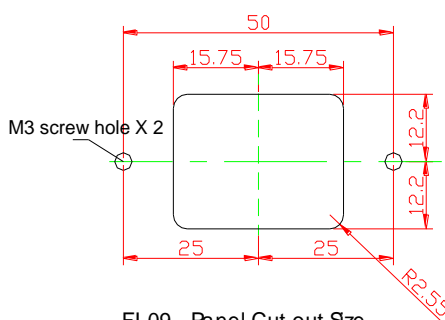
Features

- α (Alpha) Pure-Copper Rhodium-plated Conductor
- Materials: Nylon/fiberglass with special "NCF" anti-resonance damping material - nano-sized crystalline, piezo ceramic particles and carbon powder
- Specifications: Accommodates wire diameters up to 4.0mm (set-screw)
- Dimensions: 60.5 (W) x 30.2mm (D) x 36.2mm (H) ±0.1mm
- Type: 2-pole+earth, Rated: 15A/250V

Furutech's total attention to detail and build quality extends right down to a specially designed patent-pending pressure plate (see below) that increases the contact area of the Alpha Conductors.



FI-09 Panel Cut-out Size
(for Front mounting Use)



FI-09 Panel Cut-out Size
(for Rear mounting Use)



All metallic parts are treated with the

***FURUTECH α (Alpha) Process (Super Cryogenic & Demagnetizing Treatment.)**

FURUTECH CO., LTD

service@furutech.com

Make A More Powerful Connection with Furutech!

Product name	Product Introduction	JAN CODE
FI-09 NCF (R)	15A 250V IEC INLET/ NCF body	4580370443103